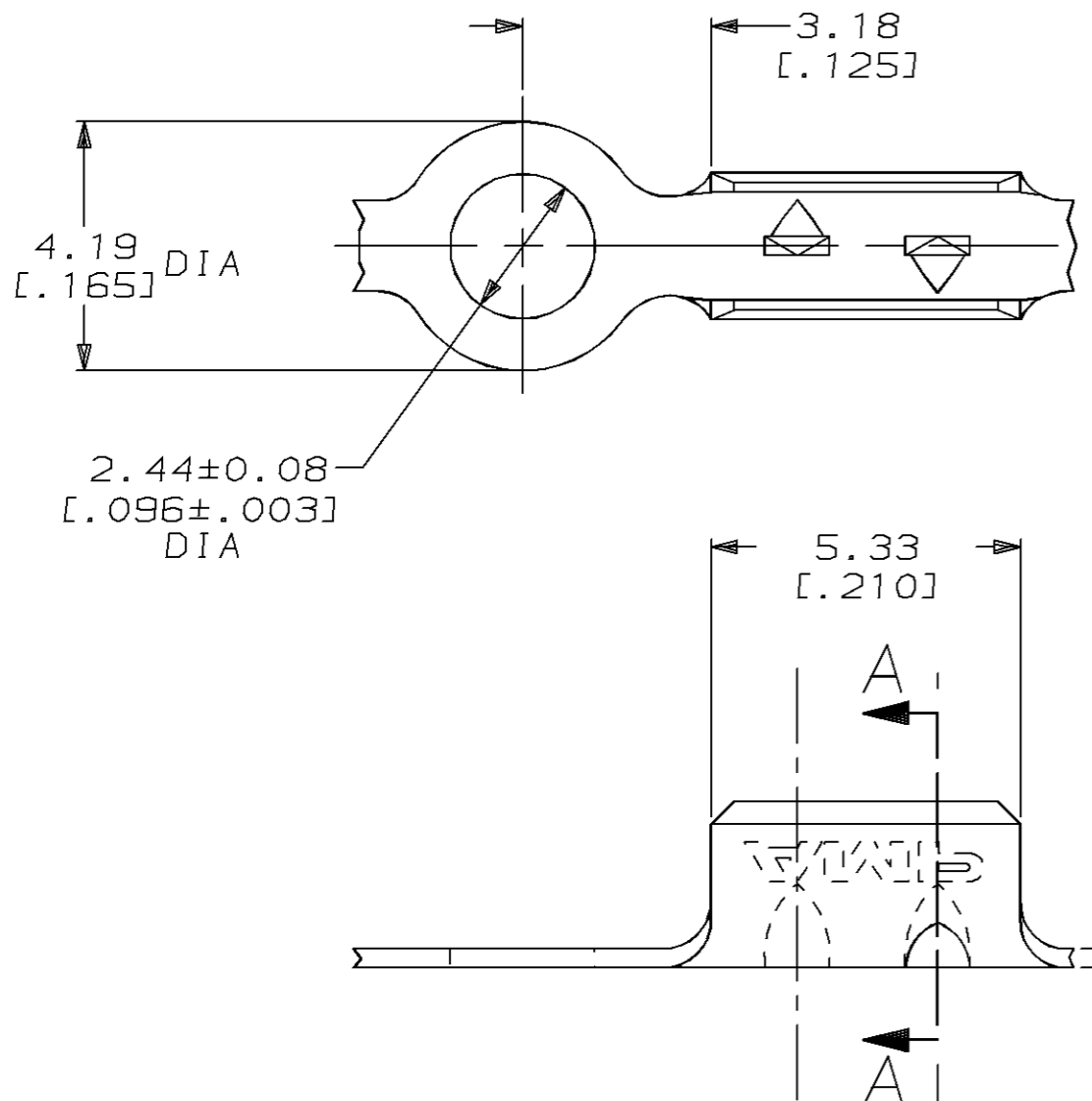
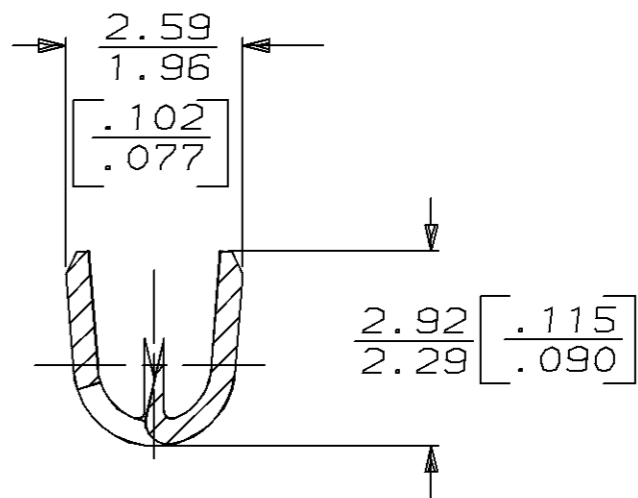


THIS DRAWING IS UNPUBLISHED. RELEASED FOR PUBLICATION, 19  
 © COPYRIGHT 19 BY AMP INCORPORATED. ALL INTERNATIONAL RIGHTS RESERVED.

|     |      |   |   |           |     |                           |         |       |
|-----|------|---|---|-----------|-----|---------------------------|---------|-------|
| LOC | DIST | P | F | REVISIONS |     |                           |         |       |
| AF  | 50   |   |   | ZONE      | LTR | DESCRIPTION               | DATE    | APPD  |
|     |      |   |   |           | S   | REV & REDRAWN PER 0310-94 | 6/14/94 | PF/GY |



1 CONTINUOUS STRIP ON REEL.



SECTION A-A  
SCALE 10:1

0.330±0.025  
[.013±.001]

|  |                                 |  |                    |
|--|---------------------------------|--|--------------------|
| 1.27-1.65 DIA<br>[.050-.065]   |                                 | [22-20] AWG  | 41376              |
| INSULATION RANGE   |                                 | WIRE RANGE   | PART NO            |
| DO NOT SCALE PRINT.<br>UNLESS SPECIFIED<br>DIMENSIONS IN mm [INCHES]<br>TOLERANCES ON:<br>2 PLC DEC ± 0.25 [.010]<br>3 PLC DEC ± -<br>ANGLES ± - | DR 6/15/94<br>PHILLIP M FORTNEY | <b>AMP</b> AMP Incorporated<br>Harrisburg, PA 17105-3608 |                    |
|  | CHK 6/15/94<br>JEFF R RUTH      |  |                    |
|  | APPD 6/15/94<br>GARY YETTER     | NAME   |                    |
|  | APPD 6/15/94<br>RON KUZO        | RING, INSULATION PIERCING                                |                    |
| MATERIAL<br>082 BRASS  | PRODUCT SPEC<br>-               | SIZE<br>B  | CAGE CODE<br>00779 |
| FINISH<br>0.00381 [.000150]<br>MIN PRE-TIN PL<br>PER MIL-T-10727   | APPLICATION SPEC<br>-           | DRAWING NO<br>C=41376                                    |                    |
|  | WEIGHT -                        | SCALE<br>8:1   | SHEET<br>1 OF 1    |

THIS DRAWING IS A CONTROLLED DOCUMENT FOR AMP INCORPORATED. IT IS SUBJECT TO CHANGE AND THE CONTROLLING ENGINEERING ORGANIZATION SHOULD BE CONTACTED FOR THE LATEST REVISION.